

# Kammprofile gasket with machined centering ring (IDT Style: KD10)

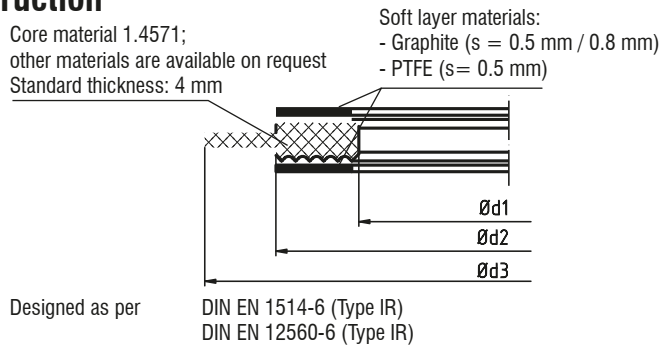


The kammprofile high-grade stainless steel core (standard: WS 1.4571, kammprofile pitch 1 mm) is covered on either side with soft layer, usually Graphite or PTFE. The gasket features a machined centering ring to ensure that the flange screws are centered. The basic body profiling, the soft layer and thickness of the soft layer are all ideally aligned.

Kammprofile gaskets require low minimum seating stress but can be applied under very high stress load.

Kammprofile gaskets can be operated up to high pressures, have low leakage rates and can be applied in even the most adverse operating conditions.

## Construction



## Operating limits

	Graphite	PTFE
■ Operating pressure :	max. 400 bar	max. 400 bar
■ Operating temperature :	-200 °C to +550 °C <sup>1)</sup>	-200 °C to +250 °C

<sup>1)</sup> please consult the manufacturer regarding temperatures above 450°C

## Gasket characteristics DIN 28090

	Graphite	PTFE
$\sigma_{VU 0,1}$ :	15 N/mm <sup>2</sup>	15 N/mm <sup>2</sup>
$\sigma_{VO}$ :	500 N/mm <sup>2</sup>	500 N/mm <sup>2</sup>
$\sigma_{BO 200^\circ C}$ :		450 N/mm <sup>2</sup>
$\sigma_{BO 300^\circ C}$ :	500 N/mm <sup>2</sup>	
$m_{DIN 2505}$ :	1.1	1.1

For gasket characteristics as per EN 13555 please refer to gasket database FH Münster under [www.gasketdata.org](http://www.gasketdata.org)

## Approvals

- Blow-out safety Hot Blow-Out Test as per ASTM draft HOB T1 (Graphite)
- BAM approval for gaseous oxygen (70°C/100 bar) and liquid oxygen (PTFE) <sup>2)</sup>
- BAM approval for gaseous oxygen (200°C/130 bar) and liquid oxygen (Graphite)
- Fire Safe test as per API 607/DIN ISO 10497 (Graphite)
- TA-Luft 2002 (VDI 2440/2200) <sup>3)</sup>

<sup>2)</sup> BAM: Federal German Institute for Materials Research and Testing

<sup>3)</sup> TA-Luft: German Technical Instructions on Air Quality Control